

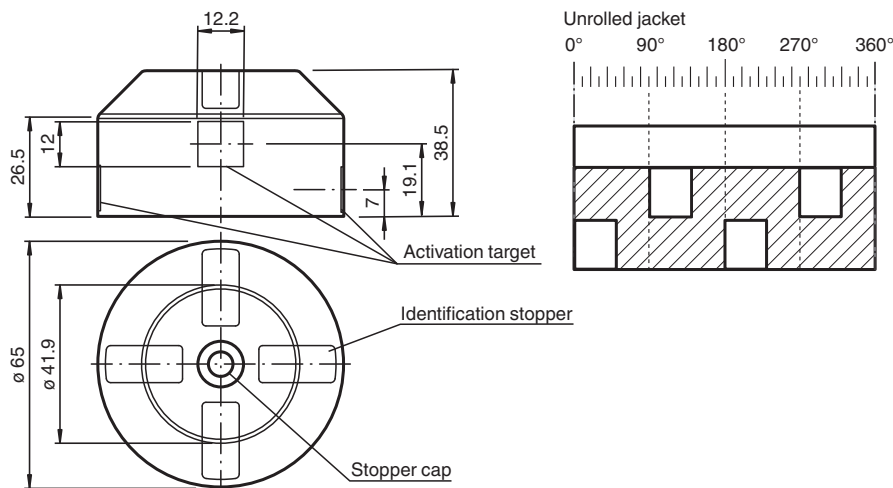
# Activator

## BT65U

- 4 fixed actuating lugs for redundant construction of 2 double sensors at rotational motion of 90°
- Additionally loose actuating lugs for individual fixing
- Suitable for right and left rotating drives

Activator for F31 series

### Dimensions



### Technical Data

General specifications	
Ring diameter	max. 65 mm
Spring ring height	max. 6 mm
Ambient conditions	
Ambient temperature	-25 ... 70 °C (-13 ... 158 °F)
Mechanical specifications	
Shaft diameter	< 58 mm
Shaft height	20 mm and 30 mm
Mounting hole pattern	30 x 80 mm
Material	
Housing	Mounting component: PA
Spacer disk	PA (1 unit, 10 mm strong)
Stopper cap	PE (1 unit black)
Identification stopper	PA (3 pcs. yellow, 3 pcs. black)
Mounting screw	for activator: 1.4305 / AISI 303 (V2A) (1 piece M6 x 25), (1 piece M6 x 16) for sensors - F31: 1.4305 / AISI 303 (4 pieces M5 x 16) (2 pieces M5 x 12)
Activation target	Stainless steel 1.4305 / AISI 303 (integrated)

Release date: 2020-06-30 Date of issue: 2020-06-30 Filename: 319898\_eng.pdf

Refer to "General Notes Relating to Pepperl+Fuchs Product Information".

Pepperl+Fuchs Group  
www.pepperl-fuchs.com

USA: +1 330 486 0001  
fa-info@us.pepperl-fuchs.com

Germany: +49 621 776 1111  
fa-info@de.pepperl-fuchs.com

Singapore: +65 6779 9091  
fa-info@sg.pepperl-fuchs.com

**PF** PEPPERL+FUCHS

Technical Data

Mass	40 g
------	------

Release date: 2020-06-30 Date of issue: 2020-06-30 Filename: 319898\_eng.pdf

Refer to "General Notes Relating to Pepperl+Fuchs Product Information".

Pepperl+Fuchs Group  
www.pepperl-fuchs.com

USA: +1 330 486 0001  
fa-info@us.pepperl-fuchs.com

Germany: +49 621 776 1111  
fa-info@de.pepperl-fuchs.com

Singapore: +65 6779 9091  
fa-info@sg.pepperl-fuchs.com

## Function

The activator consists of a conductive plastic material which prevents static charging and allows installation in potentially explosive environments.